

COUNT	DESCRIPTION OF REVISIONS	BY	CHKD	DATE	COUNT	DESCRIPTION OF REVISIONS	BY	CHKD	DATE

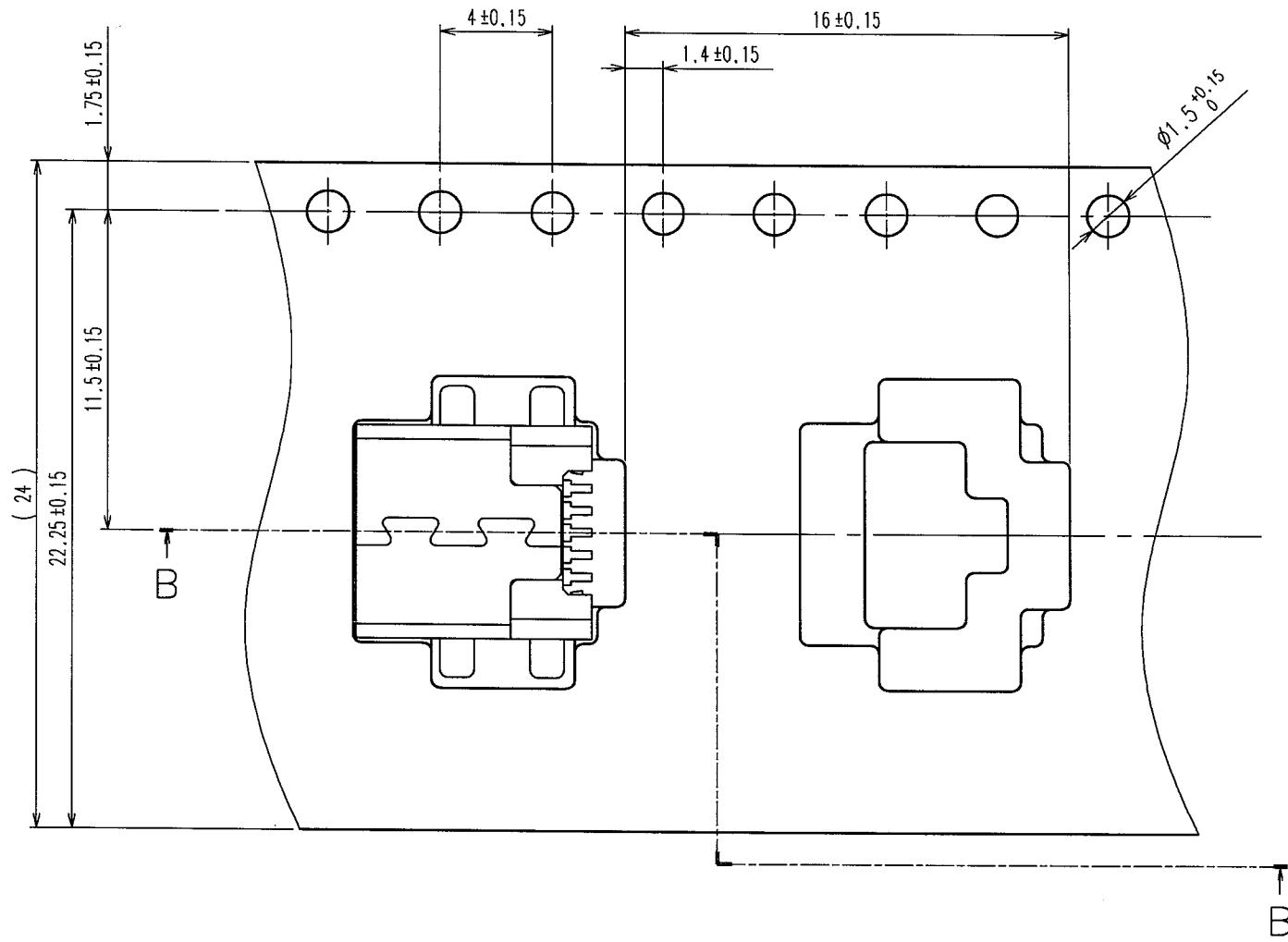
CODE NO. (OLD)	DRAWN	DESIGNED	CHECKED	APPROVED	RELEASED
	H. Yoshida	H. Yoshida	M. Nakamura	[Signature]	
	04-08-09	04-08-07	04-08-07	04-8-7	
DRAWING NO.	EDC3-124565		PART NO.	UX60R-MB-5ST	
SCALE	5 : 1		CODE NO.	CL240-0008-8	
UNITS	mm			1/2	

FORM NO. 229

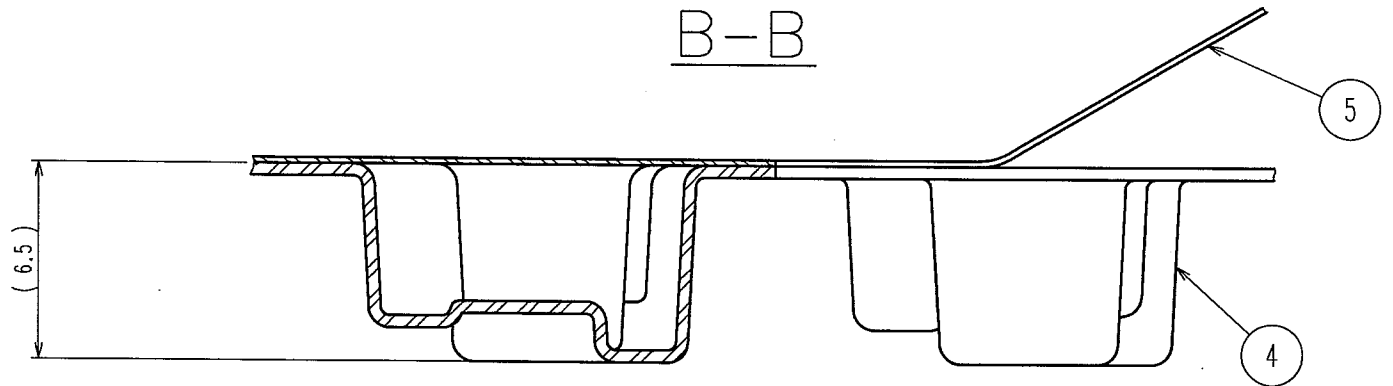
DRAWING FOR PACKING

UNREELING DIRECTION →

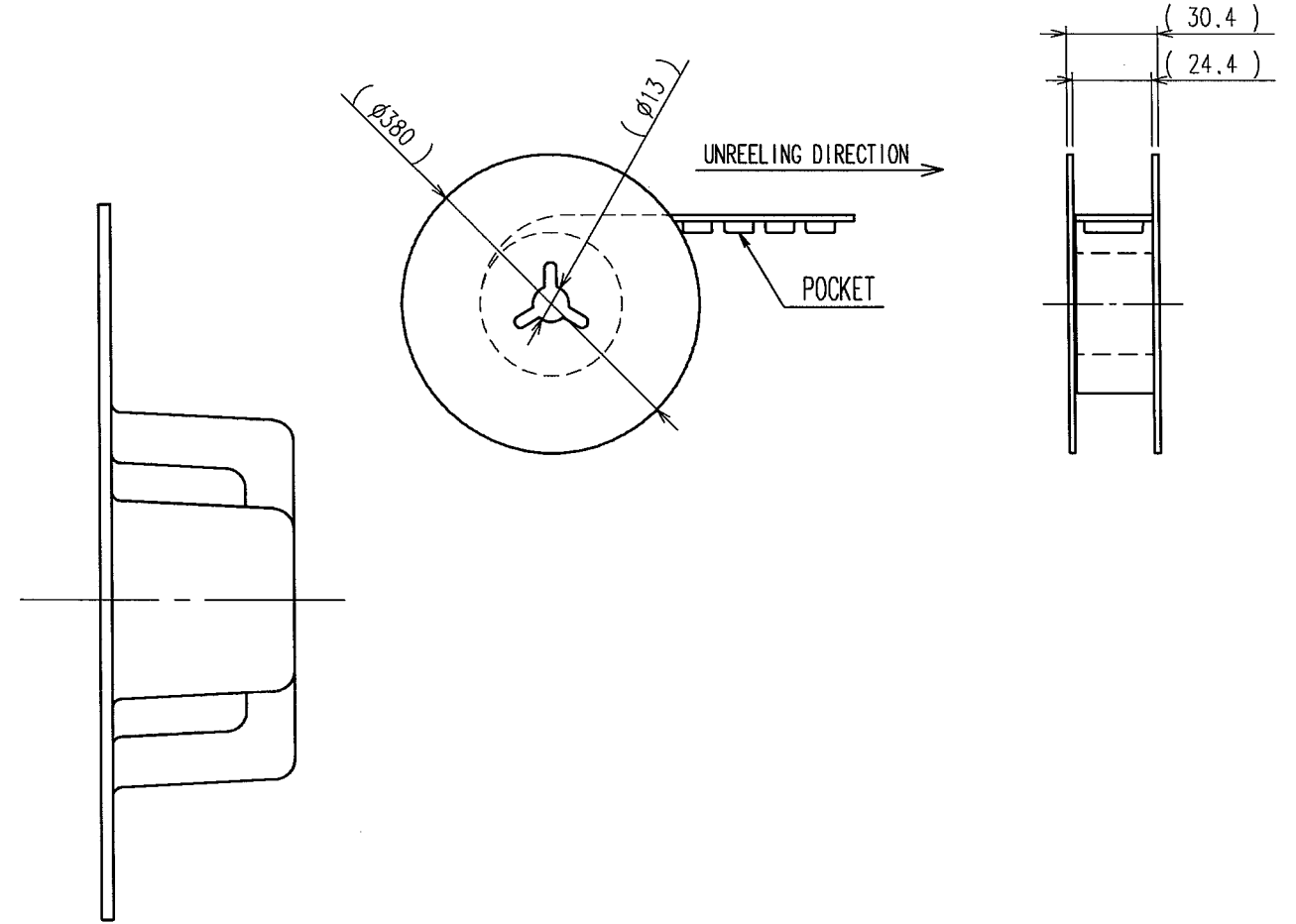
PACKAGING CONDITION(FREE)



B-B



COUNT	DESCRIPTION OF REVISIONS	BY	CHKD	DATE	COUNT	DESCRIPTION OF REVISIONS	BY	CHKD	DATE
△				..	△				..
△				..	△				..
△				..	△				..



NO.	MATERIAL	FINISH, REMARKS	NO.	MATERIAL	FINISH, REMARKS
CODE NO. (OLD)			DRAWN	DESIGNED	CHECKED
			<i>H. J. J.</i>	<i>H. J. J.</i>	<i>M. Nakamura</i>
			04-08-07	04-08-07	04-08-07
					APPROVED
					<i>[Signature]</i>
					RELEASED
					..
SCALE	DRAWING NO.		PART NO.		
4 : 1	EDC3-124565		UX60R-MB-5ST		
UNITS	HRS HIROSE ELECTRIC CO., LTD		CODE NO.		
mm			CL240-0008-8		

TO